

- VALVES AND COMPONENTS FOR GAS
- CRYOGENIC AND HIGH-PRESSURE ENGINEERING
- AEROSPACE, MARINE AND ENERGY INDUSTRY



STÖHR ARMATUREN GmbH & Co KG  
 Dornierstr. 4  
 D-86343 Königsbrunn

Fon: +49 (0)82 31 34 90 - 0  
 Fax: +49 (0)82 31 34 90 - 45  
 Email: [info@stoehr-valves.de](mailto:info@stoehr-valves.de)  
 Homepage: [www.stoehr-valves.de](http://www.stoehr-valves.de)

**PRESS RELEASE**  
 Articles are also available as .pdf -  
 @ [www.stoehr-valves.de](http://www.stoehr-valves.de)

STÖHR ARMATUREN specializes in the design and manufacture of valves for industrial gases, chemical and pharmaceutical industry, for applications in aerospace, marine engineering and energy engineering as well as in research institutes. Temperatures from +250 °C to - 271 °C, pressure up to 420 bar, leak-tightness, corrosive or toxic media and fast shutter and opening times are exemplary for the extreme demands of our customers for STÖHR products. The actuator of our fittings can be operated manually as well as pneumatic, hydraulic, magnetic or electric driven.

Our standard product range comprises a variety of globe or control valves, check valves, pressure relief valves and filters in different body types with diameters up to DN250. Our valve bodies are made from a single piece of stainless or special steel and are sealed with bellows. There are variations available for the connections as well as for surface treatment. Additionally, there are special designs for specific customer requirements in terms of temperature range, pressure range, life cycle extension, or relating to the use of special materials.

More information can be found on our website [www.stoehr-valves.de](http://www.stoehr-valves.de). Please send us your questions by email to [info@stoehr-valves.de](mailto:info@stoehr-valves.de) or call us!

## STÖHR ARMATUREN – VALVES FOR THE EXTREMES



**STICKS**



**UNIVERS**



**BALANS**



**AXIUS**



**ELLIPS**



**BLASTS**

## Spring less non-return valves from STÖHR cut pressure drops

Springless non-return valves introduced by STÖHR ARMATUREN create a smaller pressure differential when open compared with conventional spring operated check valves. By using a magnetic field rather than a spring to provide the closing force, the MAGROS valves reduce energy losses, eliminate shutter vibration and offer improved reliability.

Traditional spring check valves produce increasing resistance as the shutter opens and the spring becomes more compressed. However, with MAGROS valves the magnetic closing force decreases as the shutter opens further. The minimum cracking pressure is also low at less than 0.1 bar.

The valve body of MAGROS is machined from solid stainless steel, with surfaces in contact with the product machined, ground, electrolytically polished or passivated. The valves are suitable for gases and liquids in the temperature range from -40 °C to +50 °C.

Cryogenic models are also available, suitable for fluid temperatures between -196 °C for nitrogen (down to -271 °C for helium in special execution) and +50 °C and with a minimum cracking pressure of less than 0.03 bar.

Both warm and cold versions of MAGROS will be on exhibition at Valve World 2012 at the stand of STÖHR ARMATUREN (hall 3A, stand 82).

Various modifications or special executions are available on request!

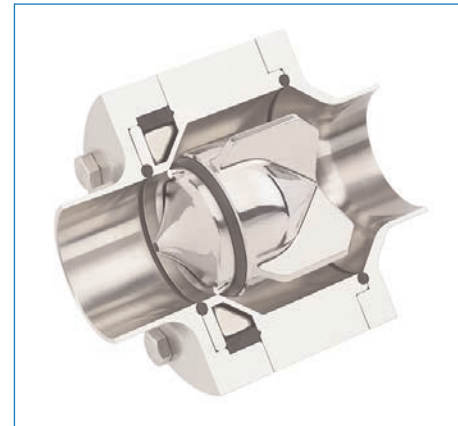


Fig. 1

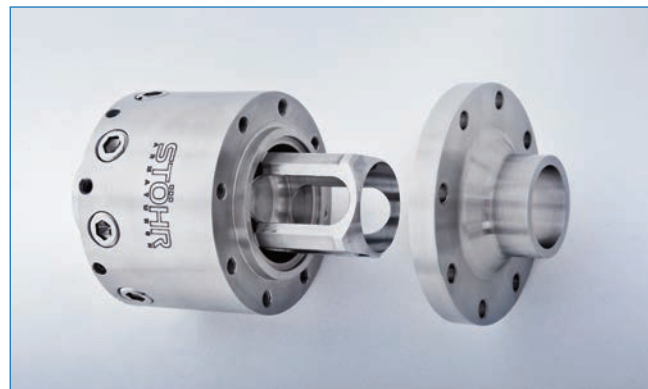


Fig. 2

Fig. 1: MAGROS spring less check valves  
Fig. 2: compact MAGROS body

### Key data for MAGROS (standard execution)

Technical data	MAGROS warm version	MAGROS cryogenic version
Temperature range of medium	- 40 °C to + 50 °C	- 196 (max. - 269) °C to + 50 °C
Body type	Straight-through	Straight-through
Minimum cracking pressure	$\leq 0,1$ bar	$\leq 0,03$ bar
Nominal diameter	DN10 to DN100	DN10 to DN40
Nominal pressure	PN40	PN40

## COMPANY INFORMATION

STÖHR ARMATUREN GmbH & Co KG  
Dornierstr. 4  
D-86343 Königsbrunn

Fon: +49 (0)82 31 34 90 - 0  
Fax: +49 (0)82 31 34 90 - 45  
Email: [info@stoehr-valves.de](mailto:info@stoehr-valves.de)  
Homepage: [www.stoehr-valves.de](http://www.stoehr-valves.de)

Registration office / Registergericht: Augsburg HRA 10986  
General Partner: F.X. STÖHR GmbH, Registergericht Augsburg HRB 7844  
VAT tax-id / UST-ID-Nr.: DE 127 460 310, General Manager: Detlef Heydt, Joachim Roediger

### Note on Safety

The STÖHR product catalogue, checklists, our sales staff and our sales representatives will assist in identifying and selecting valves for your requirements. The selection of a specific valve type as well as its proper installation, commissioning, operation and maintenance is, however, in the responsibility of the system designer and the user. Valve function, type of sealing, material compatibility, operating pressure, operating temperature and the system environment must be taken into account.

### Disclaimer

STÖHR ARMATUREN GmbH & Co KG took great care in compiling the contents of this document, of its product catalogue as well as other product or project related information. Despite all accuracy, data could have changed in the meantime. For this reason, liability or guarantee for up-to-dateness, correctness and completeness of the information provided can not be granted. All information in this document is to be understood as non-binding general information that is no substitute for individual and profound consultation. STÖHR ARMATUREN reserves the right to accomplish changes or supplements to the information provided without prior notice.

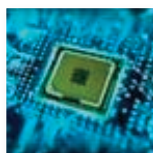
The content and the structure of the documentation provided are protected by copyright. The duplication of information and data, in particular the use of texts, text segments, pictures, photos or graphics is subject to prior approval by STÖHR ARMATUREN GmbH & Co KG. Press releases and other documents indicating as being intended for public may be used for publication provided that the announcement also indicates the source of information used.



GASES



CHEMISTRY



ELECTRONICS



ENERGY



NAVAL



AEROSPACE